

ePAD™ Virtual Keypad

Description

The ePAD™ Virtual Keypad allows users to control their security systems through the Internet. Providing much-needed flexibility, the ePAD allows users to control their security systems from any computer that has one of the browsers specified below. The ePAD easily installs in the panel enclosure and is compatible with all DMP Command Processor™ panels. Program the ePAD using an Internet browser. The power requirement for the ePAD is 80mA @ 9-14 VDC.

What is Included

The ePAD includes the following items:

- One ePAD Virtual Keypad
- One 4-wire harness to connect to the panel
- One 330 Programming Cable

What else is Needed

A network cable is required to provide constant connection to a broadband network such as DSL, cable modem, or T1.

Note: If the ePAD is installed in a site that uses a computer connected to the Internet, a router is needed. Refer to the ePAD Technical Note (LT-0670) for complete information on configuring the network router.

You may program the ePAD with a computer using one of the following Internet browsers:

- Internet Explorer version 4.0 and above
- Netscape version 4.0 and above
- AOL version 4.0 and above
- iPAQ with Pocket Internet Explorer and Jeode Runtime plug-in

If you must change the ePAD IP Address, you need a DMP LCD, 32-character keypad such as a Model 690 or 7060 keypad. Refer to the ePAD Programming Guide (LT-0664) for IP Address programming.

Note: Some information, such as the IP Address and HTTP Port numbers, is required for programming and must be obtained from the network administrator or Internet Service Provider (ISP).

Mounting the ePAD with the 3-Hole Pattern

Mount the ePAD inside the panel enclosure using the 3-hole mounting configuration. See Figure 1.

1. Turn the standoff nearest the edge parallel with the ePAD edge so the ePAD easily fits in the panel enclosure. See Figure 3.
2. Line up the three standoffs on the ePAD with the three holes in the enclosure.
3. Press evenly on the ePAD to firmly snap and lock into place.

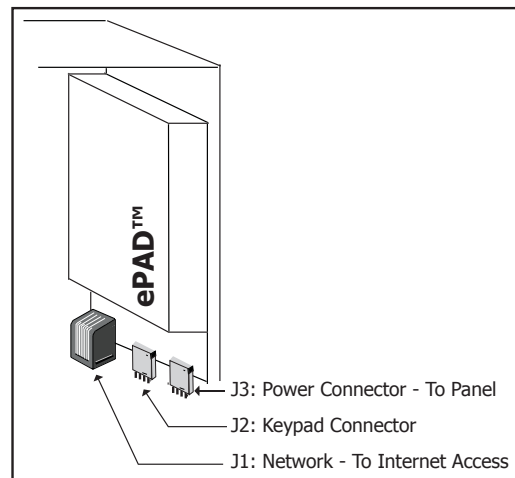


Figure 1: ePAD 3-Hole Pattern Installation

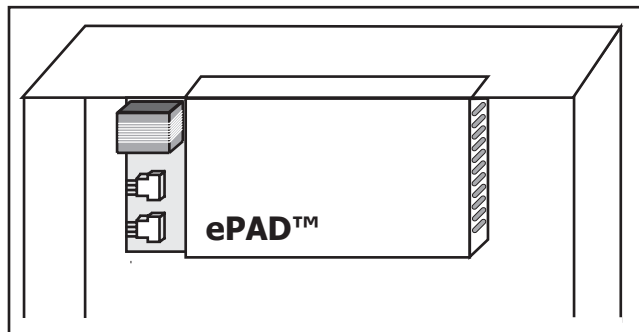


Figure 2: ePAD Installed on Enclosure Edge

Edge Mount the ePAD

You can also mount the ePAD on the enclosure edge by hanging it by the casing edge. Refer to Figure 2.

1. Starting with the connector end of the ePAD, slide the ePAD top edge casing onto the edge of the panel enclosure.
2. Press the ePAD until the entire top side of the casing hangs on the enclosure edge.

Other Mounting Options

When a 3-hole pattern is not available in the panel enclosure and edge mounting is not possible, you can mount the ePAD in a separate DMP Model 349 Enclosure. The Model 350D Mounting Plate installed in an enclosure can also be used for mounting the ePAD.

ePAD LED Indicators

Refer to Figure 3 for the LED locations.

Network and Error LEDs

Link: A steady green LED indicates the communication link to the network is working.

Activity: A flashing yellow LED indicates activity on the network.

Error 2: A steady LED when the following errors occur:

Error 1: Blinks 1 time if the ePAD is connected to a network with a duplicate IP address.

Error 1: Blinks 6 times if the ePAD is programmed with an IP address and does not detect a network connection.

Communication LEDs

There are two pairs of Transmit and Receive LEDs for communication. One pair for keypad communication and one pair for panel communication through the J3 4-pin header.

Transmit: Flashing yellow LED indicates the unit is transmitting data to the panel.

Receive: Flashing yellow LED indicates the unit is receiving data from the panel.

Power LED

The Power LED is on when the unit receives power.

Wiring the ePAD

Follow the steps below for wiring the ePAD to the panel and network connection.

1. Attach the supplied 4-wire harness to the 4-pin header on the ePAD J3 Panel header.
2. Connect the red wire to the panel terminal 7, yellow wire to terminal 8, green to 9, and black to terminal 10.
3. Connect the network cable supplied by the site network administrator to the ePAD J1 Ethernet connector.

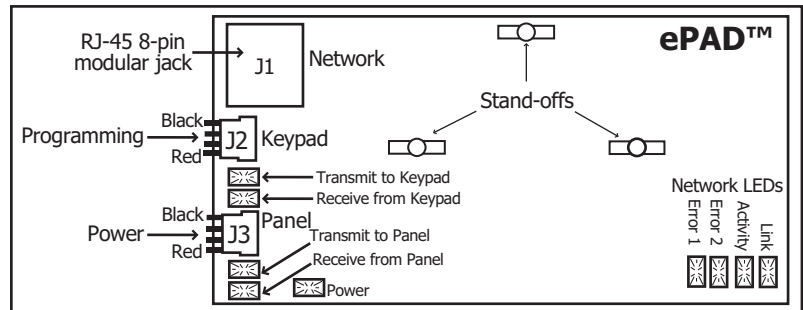


Figure 3: ePAD PCB

Specifications

Primary Power	9 - 14 VDC
Current Draw	80mA
Dimensions	.75" x 3" x 5.5"

Compatibility

Compatible with all DMP Command Processor™ Panels.

Use any of the following standard web browsers:

- Internet Explorer version 4.0 and above
- Netscape version 4.0 and above
- AOL version 4.0 and above
- iPAQ with Pocket Internet Explorer and Jeode Runtime plug-in

Listings and Approvals

FCC Part 15



Digital Monitoring Products

800-641-4282

www.dmp.com

Made in the USA

INTRUSION • FIRE • ACCESS • NETWORKS

2500 North Partnership Boulevard

Springfield, Missouri 65803-8877